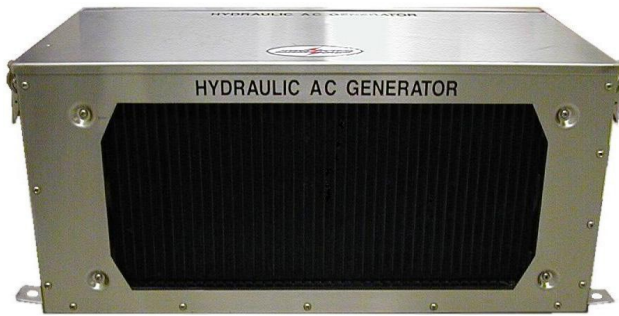


Emergency/Rescue Series

Compact, all solid-state electronic controlled hydraulic generators



Smart Power Systems® severe-duty, electronic controlled generator systems are designed to meet the most demanding mobile applications, and provide 120VAC/240VAC, 60Hz clean power. The cleanest power available in hydraulic generators.

Their (1) reliability, (2) compact 1 piece module, and (3) proven field performance make Smart Power the *first choice* for fire fighters.



Smart Power Systems® provides

Instant power you can rely on

- Trouble free GENSET operation and maintenance
- Rugged, stainless steel, fully enclosed one piece module
- Smart Start* power engagement reduces stress on genset and truck powertrain

Compact size

- GENSET module includes integrated hydraulic fluid reservoir
- Drop-in field replacement (replaces most GENSET brands)
- Smallest industry footprint saves valuable space for other gear/equipment
- Common hookups for 6.2, 8 and 10kW models
- Mount in dunnage area, compartment, or hose bed storage
- Low Profile—Ideal for use on aerial apparatus

High performance

- Unique “super cooled” power generation for continuous 120° F operation
- Solid state system controller provides total control
- Command & Control Center continuously monitors system and optimizes overall performance
- Meets/exceeds NFPA 1901 requirements

Ease of operation

- Smart Touch® sealed touch pads provide operator interactive capabilities; manual override/control
- Integrated diagnostics and service advisories
- Service intervals of 250 hours or 3 years

Superior warranty protection

- 6 years/1000 hours—including PTO pump and Command and Control Center
- The total generator system is factory tested and Certified prior to shipment

Outstanding technical support

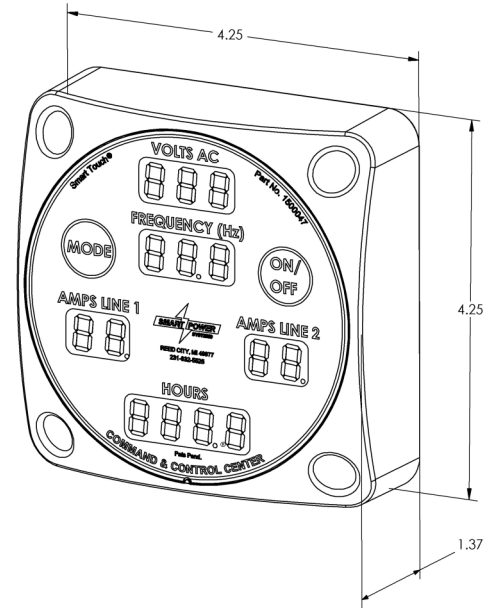
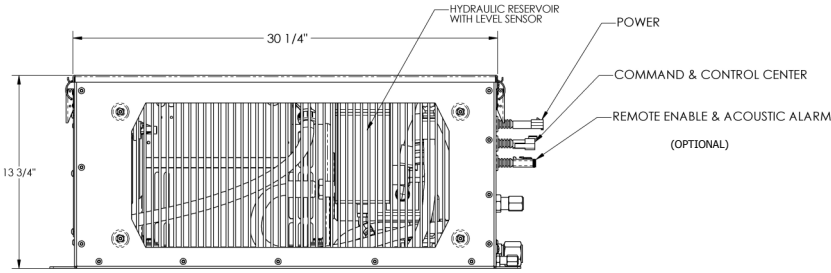
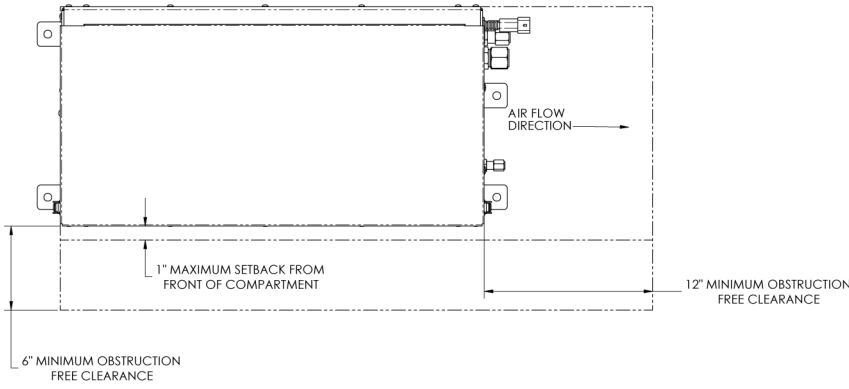
- Large experienced technical support staff
- Over 45 years of manufacturing expertise
- 165,000 square ft. state-of-the-art facility is ISO9001/2008 certified



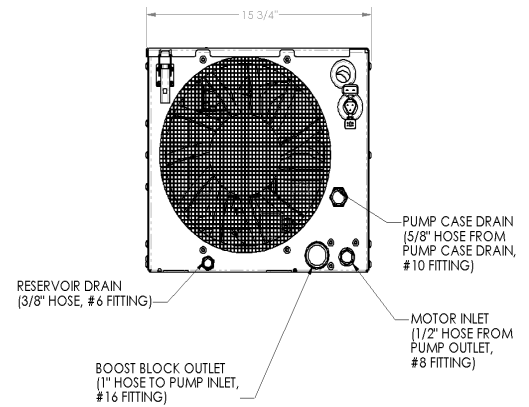
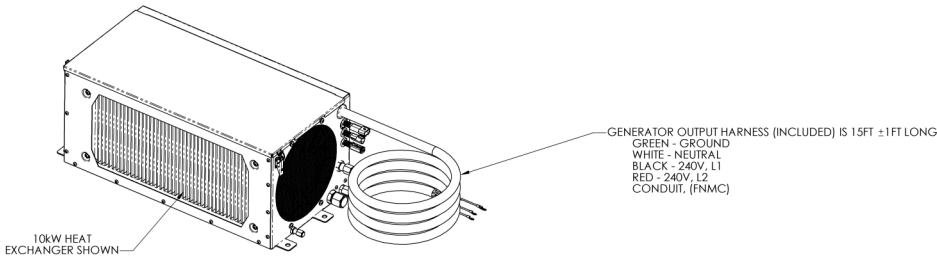
Smart Power Systems®

5000 North US-131 • Reed City, MI 49677
(231) 832-5525 • fax: (231) 832-3876 • sales@smartpower.com
Smart Power Systems® and Smart Touch® are Nartron registered trademarks
TECHNICAL HOTLINE: (231) 680-4274

* patents 5,087,825; 5,796,183; 7,053,498; 7,459,800; 7,759,811; 8,269,359; 8,269,360; 8,626,384; DE19703404 and others pending



COMMAND & CONTROL CENTER
P/N: 1500047



System Specifications

	ER-6	ER-8	ER-10	ER-110
Model number:	ER-6	ER-8	ER-10	ER-110
Part number:	1700006	1700008	1700010	1700110
Power:	6.2kW	8kW	10kW	10kW
AC amps:	52/26	67/34	84/42	84/42
Continuous watts:	6200	8000	10000	10000
Peak watts:	7500	9000	12000	12000
Tray weight:	208 lb.	217 lb.	233 lb.	233 lb.
Hydraulic pump:	45cc, 7/8" 13 tooth spline shaft, SAE B flange	45cc, 7/8" 13 tooth spline shaft, SAE B flange	45cc, 7/8" 13 tooth spline shaft, SAE B flange	60cc, 1" 15 tooth spline shaft, SAE B-B flange
Pump rotation:	Right hand	Right hand	Right hand	Right hand
AC volts:	120/240 VAC (re-connectable to 120 VAC only)			
Frequency:	60 Hertz			
Phase:	Single			
Generator speed:	3600 RPM			
Frame size:	30.25" L x 15.75" W x 13.75" H			
Reservoir:	Integrated within tray			
Hydraulic pump type:	Axial piston w/pressure compensated control			
PSI:	400 to 3600			
GPM:	7 to 13			
Engine speed:	600 RPM to 3000 RPM (application specific)			
Filtration:	10 Micron			
Fluid:	Dexron III			
Pump Options:	1.25" 14-tooth spline shaft, 1" keyed shaft, 1.25" keyed shaft, left hand rotation and through shaft with SAE C 2 bolt flange			