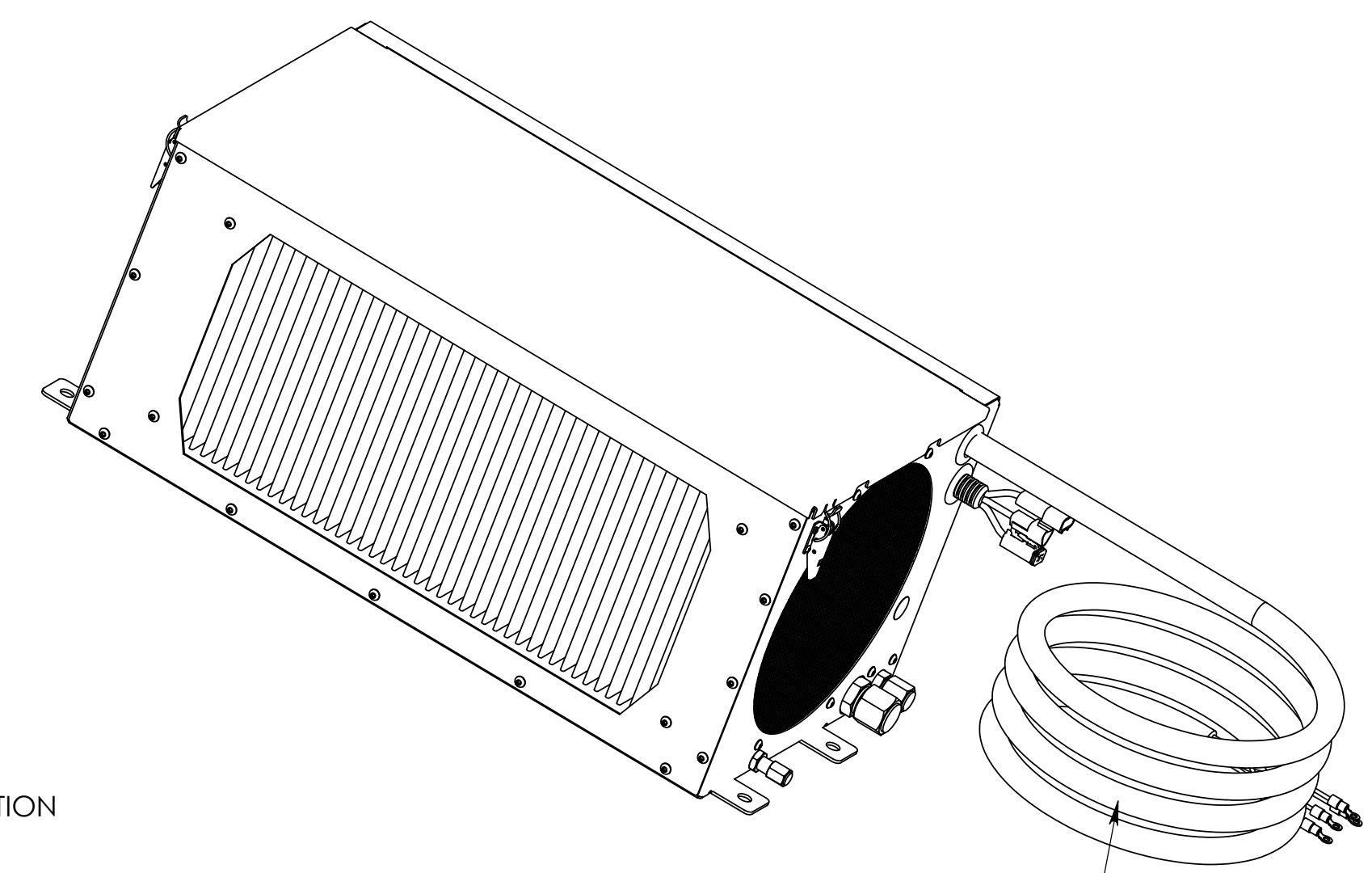
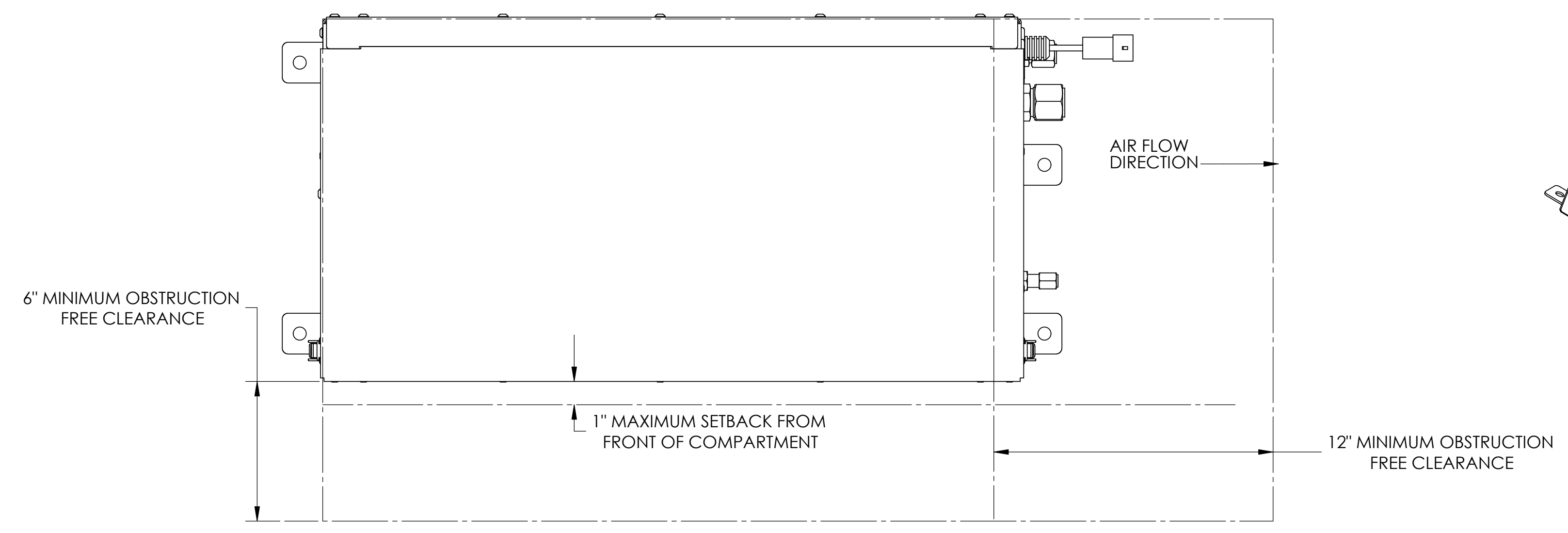
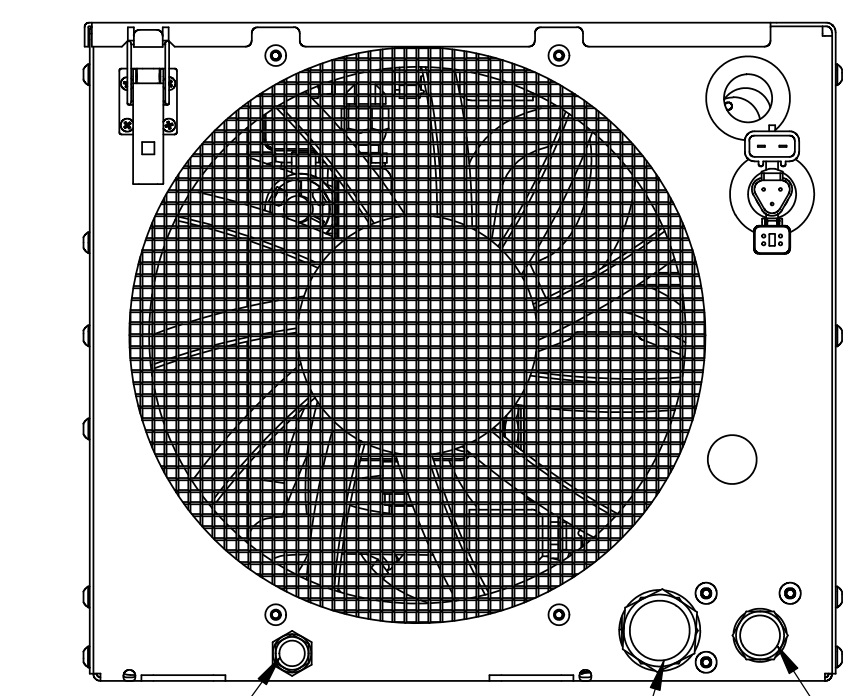
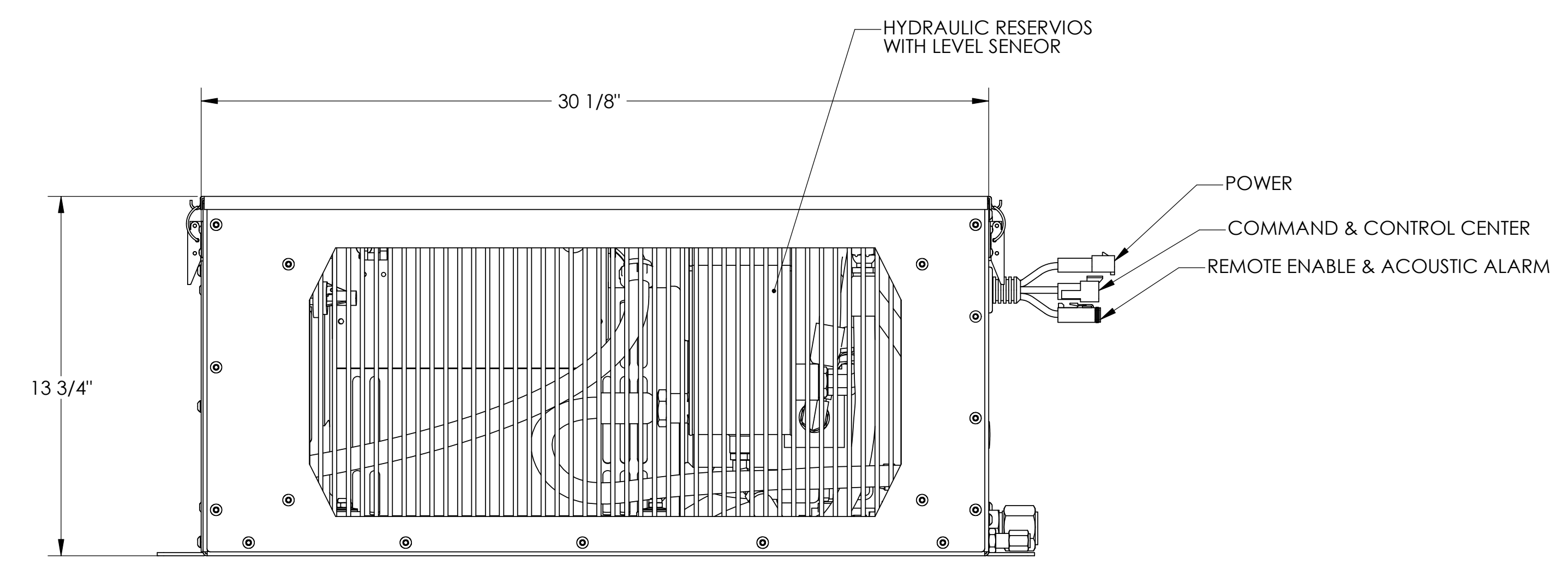
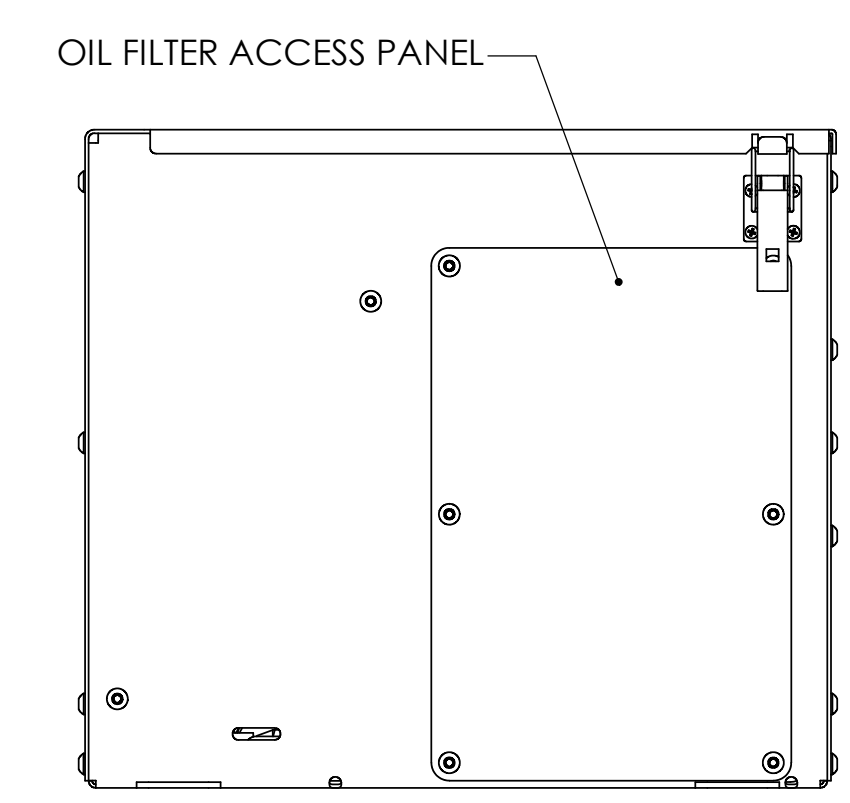


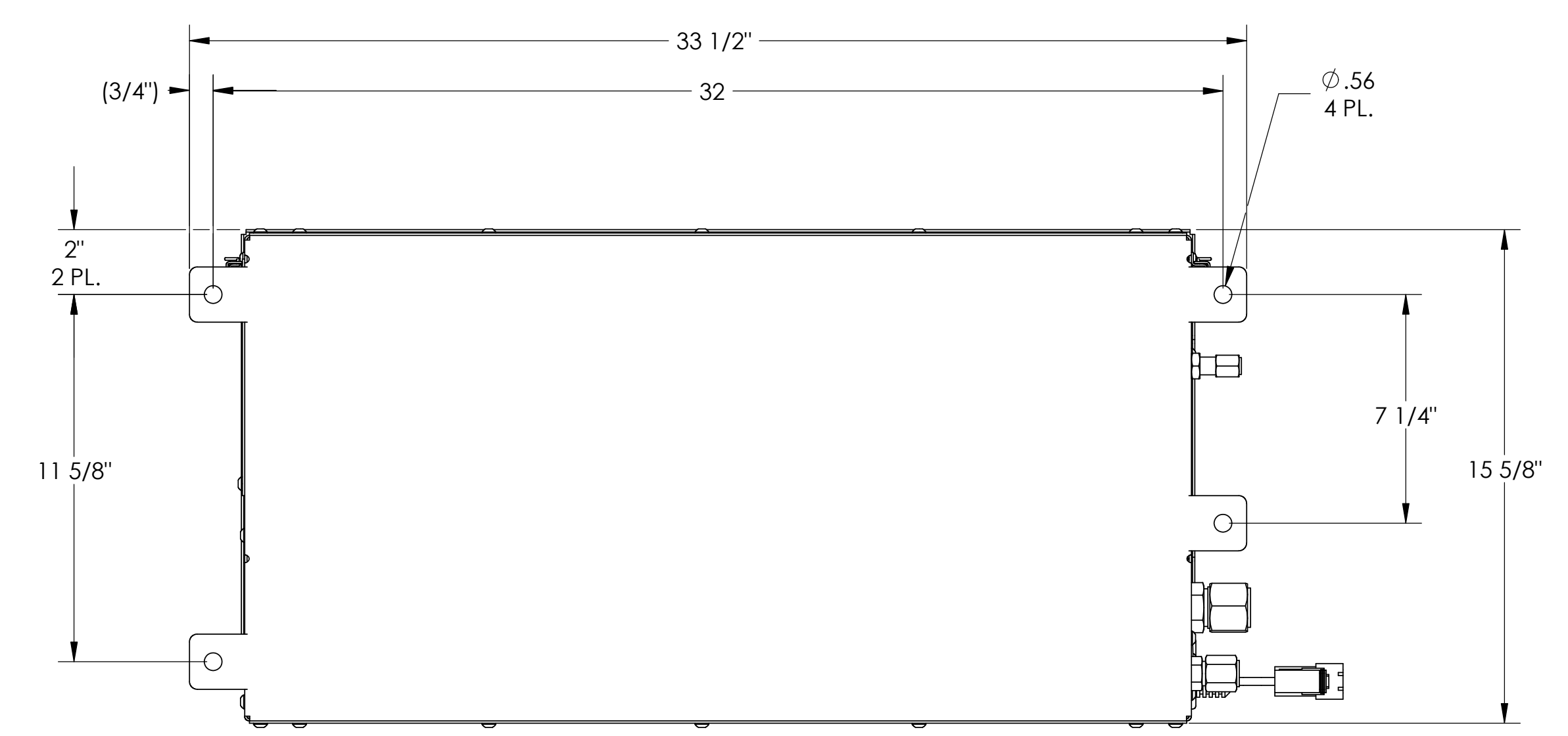
REV	DATE	BY	DESCRIPTION
A	7-20-04	DAZ	RELEASED PER ECO #



GENERATOR OUTPUT HARNESS (INCLUDED) IS 15FT ± 1FT LONG
 GREEN - GROUND
 WHITE - NEUTRAL
 BLACK - 240V, L1
 RED - 240V, L2
 CONDUIT, (FNMC)



RESERVOIR DRAIN (3/8" HOSE, #6 FITTING)
 MOTOR INLET (5/8" HOSE FROM PUMP OUTLET, #10 FITTING)



BOOST BLOCK OUTLET (1" HOSE TO PUMP INLET, #16 FITTING)

- NOTES:
1. ENCLOSURE: 304 STAINLESS STEEL
 2. INTERNAL HYDRAULIC RESERVOIR
 3. DIMENSIONAL TOLERANCE: ±0.03

WARNING: TRAY ASSEMBLY MUST BE MOUNTED SO AS TO PREVENT RECIRCULATION OF HOT AIR EXHAUST FROM COOLER

SW COMPUTER GRAPHICS
 NO HAND REVISIONS

THIS DOCUMENT IS THE PROPERTY OF NARTRON CORPORATION AND IS TENDERED IN CONFIDENCE FOR THE SOLE PURPOSE OF AIDING THE TRANSACTION OF BUSINESS BETWEEN NARTRON AND RECIPIENT. PERMISSION IS EXPRESSLY WITHHELD TO DISCLOSE TO OTHERS INFORMATION CONTAINED HEREIN OR TO REPRODUCE ALL OR ANY PART OF THIS DOCUMENT.

DELIVERY OF THIS DOCUMENT BY NARTRON CONVEYS NO PROPERTY RIGHTS THEREIN NOR IN ANY MANNER DISCLOSED THEREIN.

SPECIFICATION CONTROL DRAWING			
DRAWN	DATE	REQ'D	ITEM
DAZ	7-20-04		
CHECKED	DATE	DIMENSIONS ARE IN MM	
APPROVED	DATE	TOLERANCE UNLESS OTHERWISE SPECIFIED	
MATERIAL		1 PLACE DECIMALS ±0.3	
		2 PLACE DECIMALS ±0.13	
NEXT ASSEMBLY		ANGLES ±1/2°	SCALE 1:4
		THDS. INT 2B EXT 2A	SHEET 1 OF 1
PART NO			DESCRIPTION
LIST OF MATERIALS			
			REED CITY, MI 49677 DIVISION
NAME			8570108
GENERATOR, L/R SERIES			
8kW TRAY ASSEMBLY			