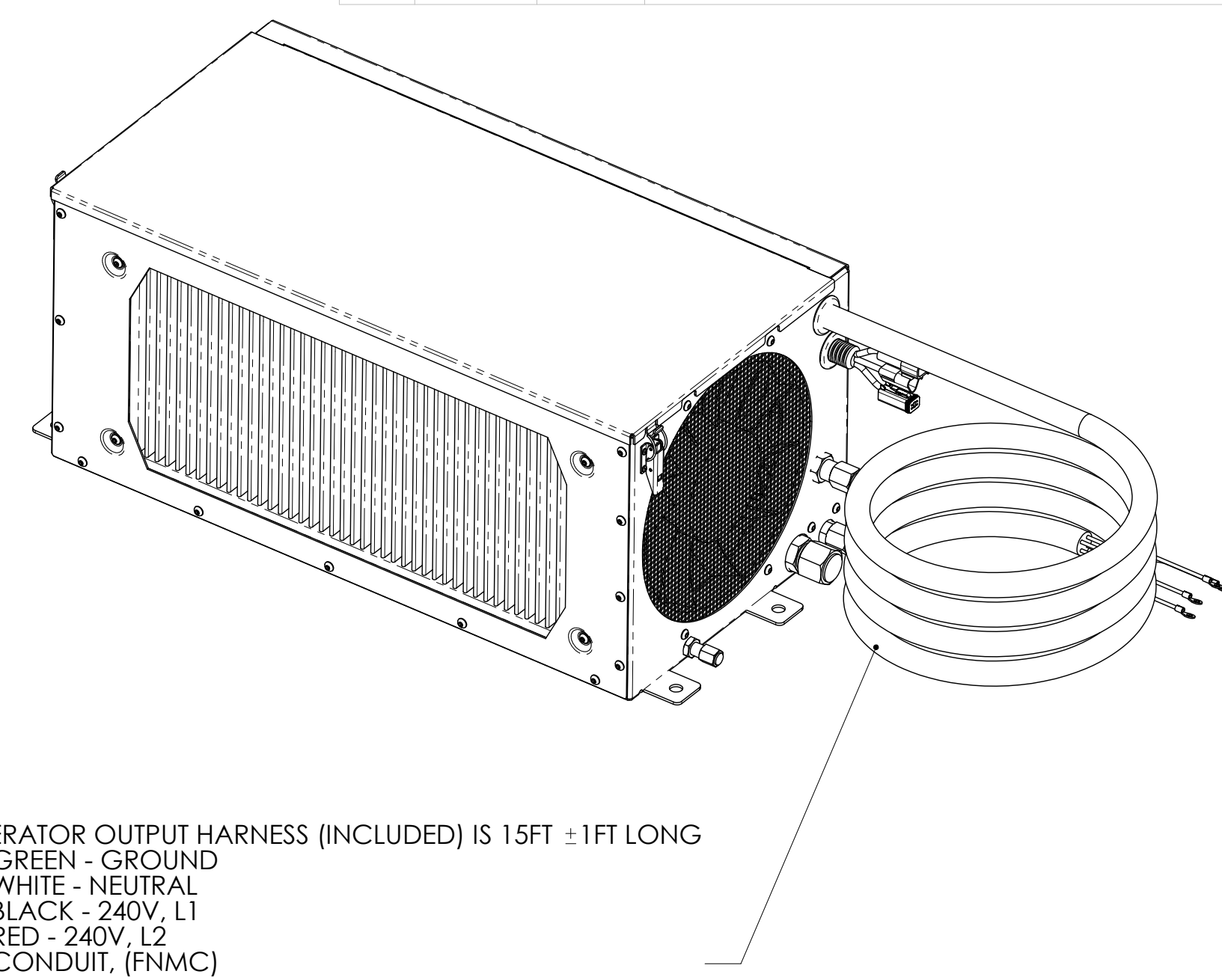
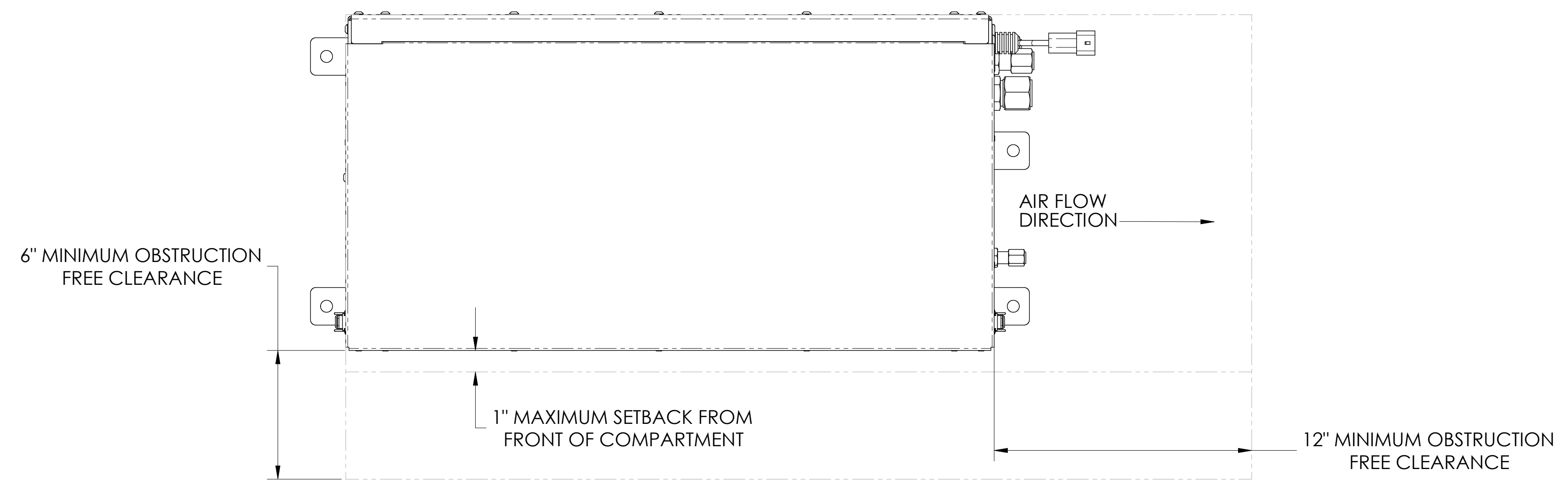
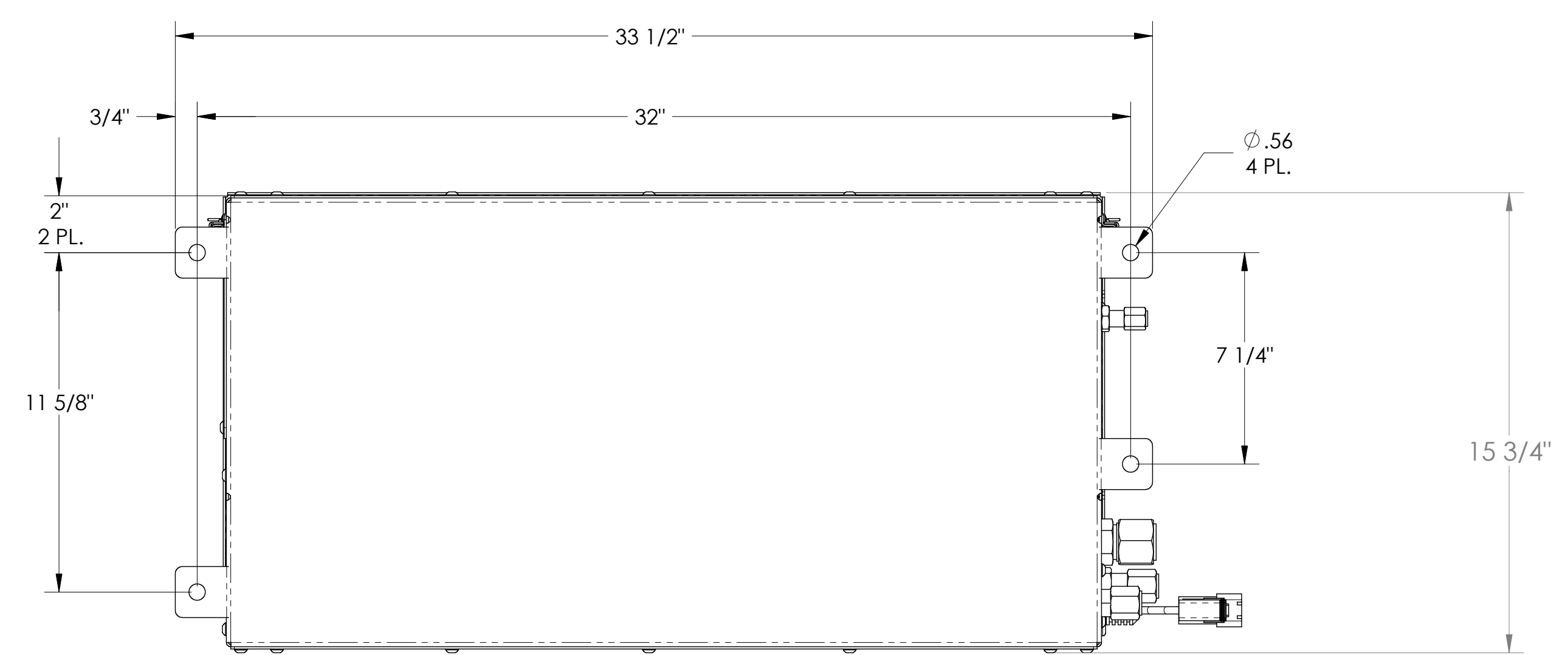
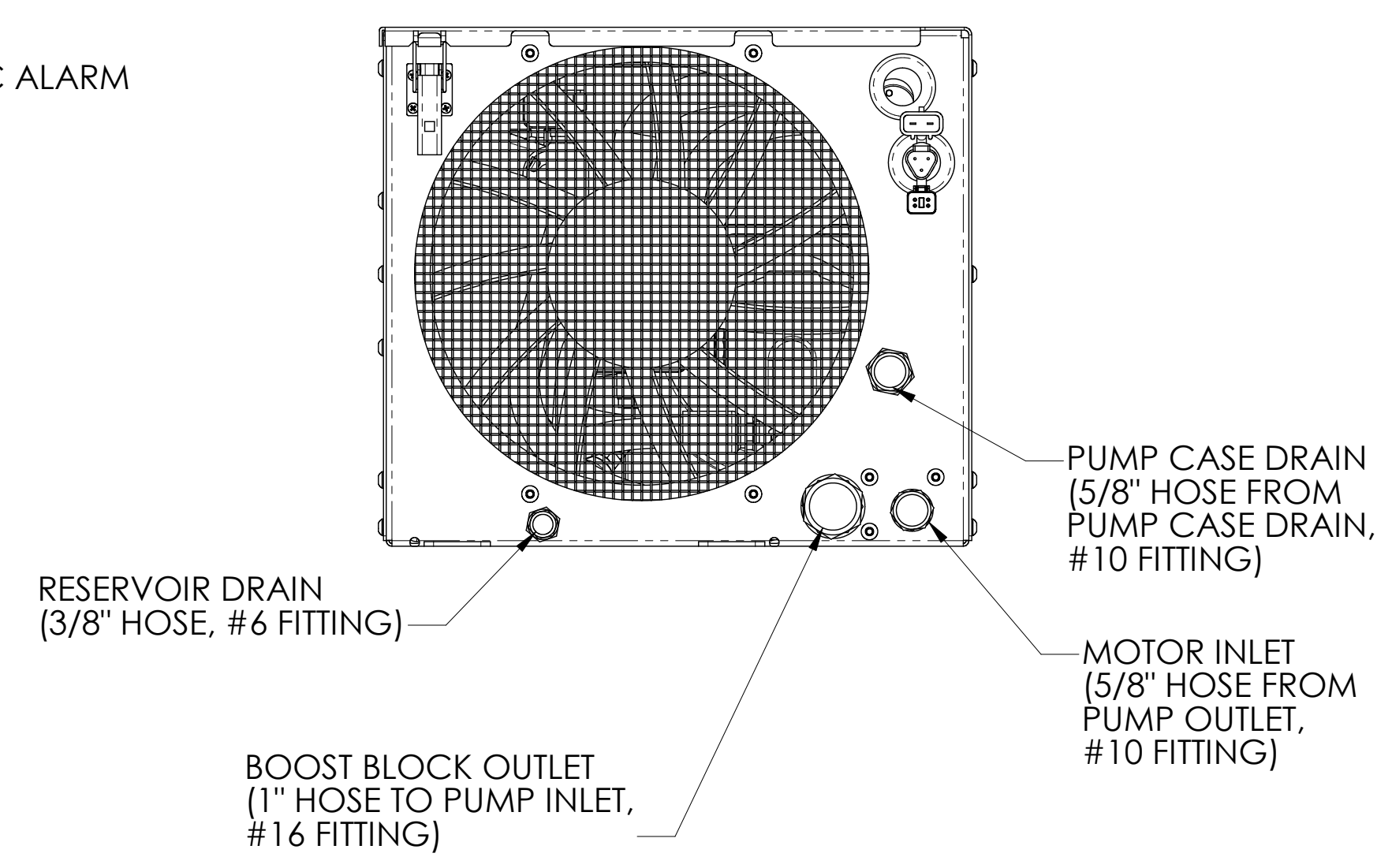
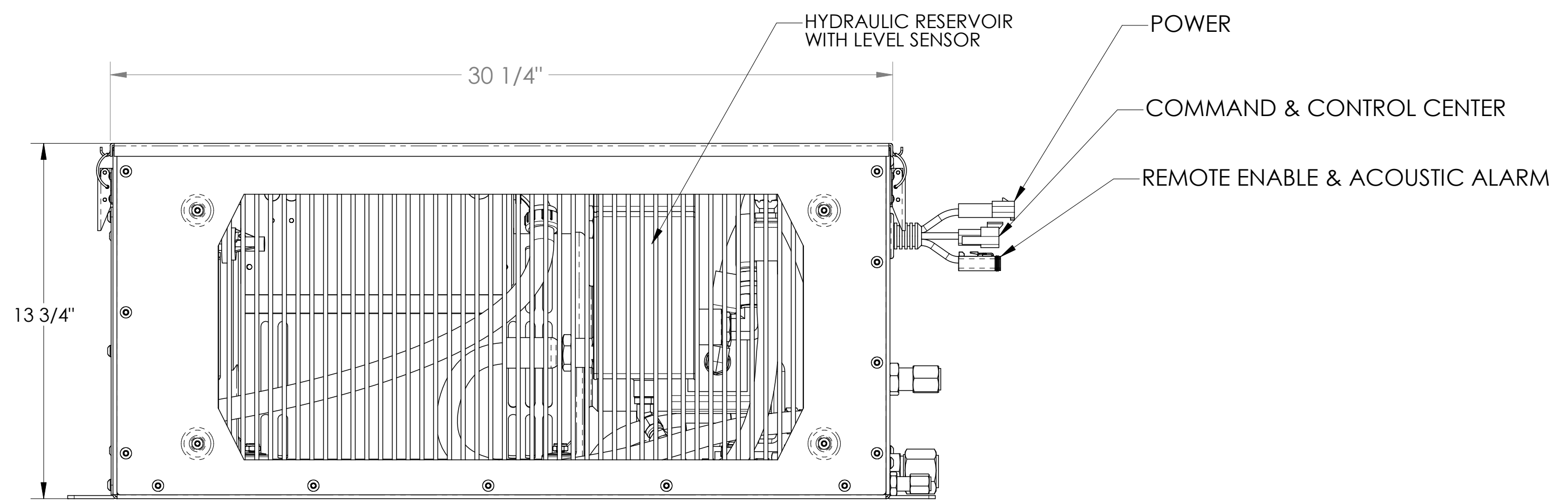
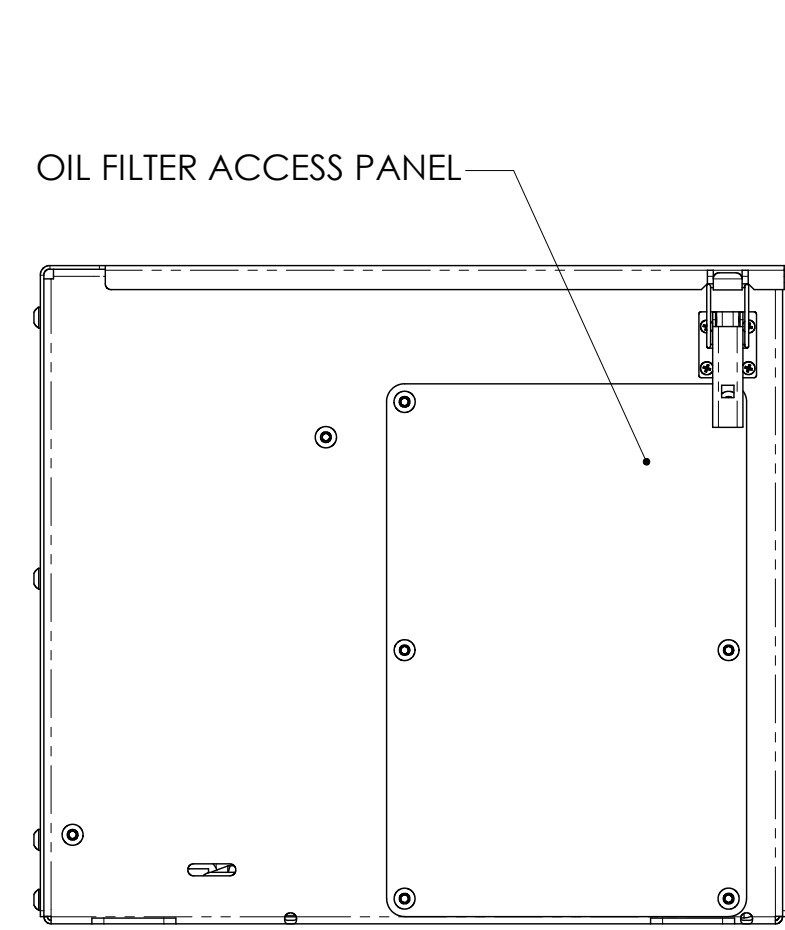


REV	DATE	BY	DESCRIPTION
A	12-17-03	DAZ	RELEASED PER ECO #9436
B	04-27-04	AEB	MODIFIED



GENERATOR OUTPUT HARNESS (INCLUDED) IS 15FT ±1FT LONG
 GREEN - GROUND
 WHITE - NEUTRAL
 BLACK - 240V, L1
 RED - 240V, L2
 CONDUIT, (FNMC)



- NOTES:
- ENCLOSURE: 304 STAINLESS STEEL
 - INTERNAL HYDRAULIC RESERVOIR
 - DIMENSIONAL TOLERANCE: ±0.03

WARNING: TRAY ASSEMBLY MUST BE MOUNTED SO AS TO PREVENT RECIRCULATION OF HOT AIR EXHAUST FROM COOLER

SW COMPUTER GRAPHICS
 NO HAND REVISIONS

THIS DOCUMENT IS THE PROPERTY OF NARTRON CORPORATION AND IS TENDERED IN CONFIDENCE FOR THE SOLE PURPOSE OF AIDING THE TRANSACTION OF BUSINESS BETWEEN NARTRON AND RECIPIENT. PERMISSION IS EXPRESSLY WITHHELD TO DISCLOSE TO OTHERS INFORMATION CONTAINED HEREIN OR TO REPRODUCE ALL OR ANY PART OF THIS DOCUMENT.

DELIVERY OF THIS DOCUMENT BY NARTRON CONVEYS NO PROPERTY RIGHTS THEREIN NOR IN ANY MANNER DISCLOSED THEREIN.

SPECIFICATION CONTROL DRAWING

DRAWN	DATE	REQ'D	ITEM	PART NO	DESCRIPTION
AEB	12-17-03	DO NOT SCALE			LIST OF MATERIALS
CHECKED	DATE	DIMENSIONS ARE IN INCHES			
PHS	12-17-03	TOLERANCE UNLESS OTHERWISE SPECIFIED			
APPROVED	DATE	2 PLACE DECIMALS ±0.01			
JEM	12-17-03	3 PLACE DECIMALS ±0.005			
MATERIAL		ANGLES ±1/2°		SCALE	1:4
		THDS. INT 2B EXT 2A		SHEET	1 of 1

REED CITY, MI 49677

SMART POWER SYSTEMS

NAME: **GENERATOR, ENCLOSED 10KW TRAY ASSEMBLY**

NO: **8570010**