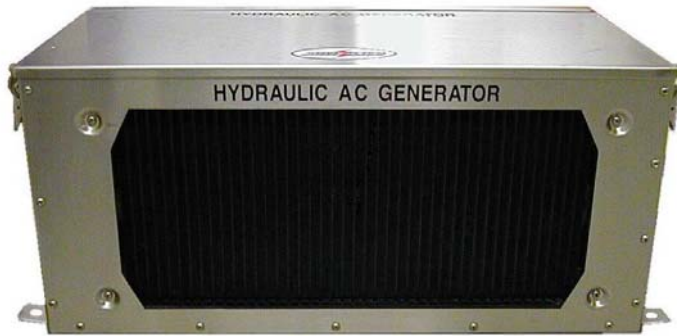


Light Rescue Series (Ford 250, 350, 450 & 550 chassis)

Compact, all solid-state, electronic controlled Hydraulic Generators



Smart Power® Systems severe-duty, 1 piece, electronic controlled generator systems are designed to meet the most demanding mobile applications, and provide 120VAC/240VAC, 60Hz clean power. The cleanest power available.

Their (1) reliability, (2) compact 1 piece module, (3) clean power, and (4) proven field performance make them the **first choice** for fire fighters.

smart power® provides

Instant power you can rely on

- Trouble free GENSET operation and maintenance
- Generator 100% system tested with PTO and pump prior to shipment
- Mounts on light duty trucks; compartment, top, etc.
- Fits all 4X2, 4X4 configurations with 5R110 TorqShift transmission
- Rugged, stainless steel, fully enclosed 1 piece module
- Unique “super cooled” power generation for continuous 120 °F operation
- Solid state system controller provides total control; optional multiplexing interface (J1939)
- Smart Start* power engagement reduces stress on PTO and truck powertrain



Compact size

- System includes a heavy-duty Chelsea PTO
- 1 piece GENSET module includes integrated hydraulic fluid reservoir
- Single piece drop-in field replacement (replaces all genset brands)
- Smallest industry footprint saves valuable space for other gear/apparatus
- Common hookups for all models

Ease of operation

- Command & Control Center continuously monitors system and optimizes overall performance
- Smart Touch® sealed touch pads provide operator interactive capabilities; manual override/control
- Integrated diagnostics and service advisories
- Service intervals of 250 hours or 3 years

Superior warranty protection

- 5 years/1000 hours
- The total system is factory tested and Certified, including the PTO

Outstanding technical support

- Large experienced technical support staff
- 37 years manufacturing expertise
- 200,000 square ft. state-of-the-art facility is ISO9001/2000 certified



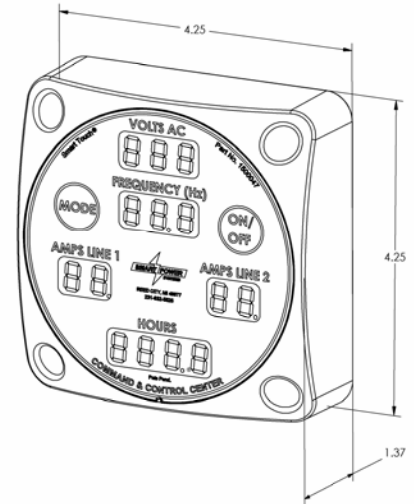
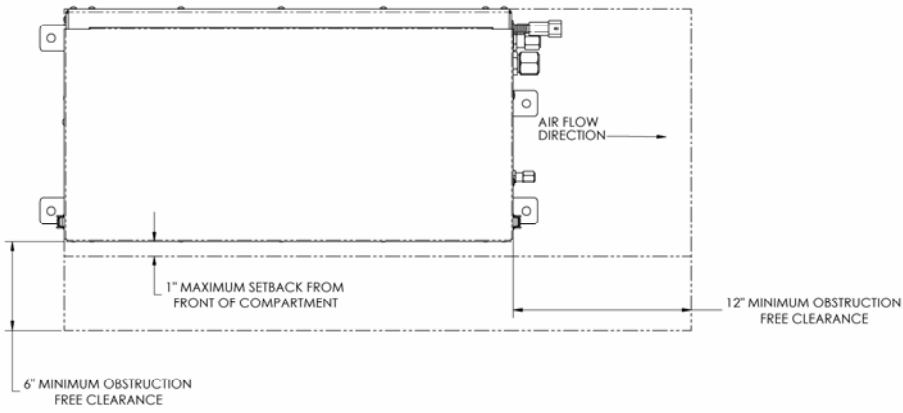
Smart Power Systems

5000 North US-131 • Reed City, MI 49677

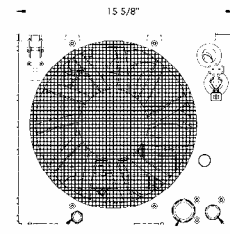
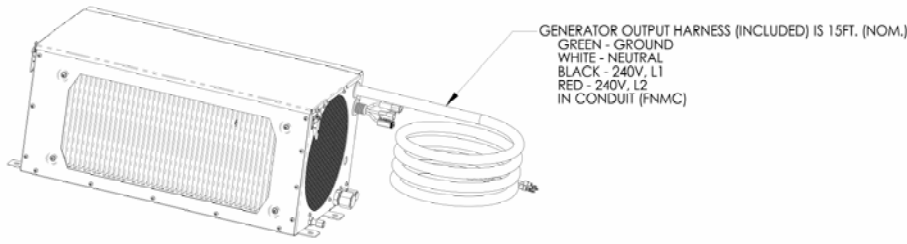
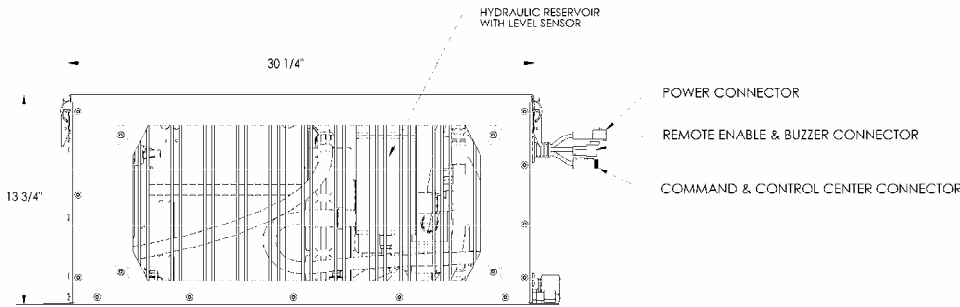
(231) 832-5525 • fax: (231) 832-3876 • sales@smartpower.com

Smart Power®, Smart Touch®, sense-compute-control® are registered trademarks of Nartron Corporation

*pats.pending



COMMAND & CONTROL CENTER
P/N: 1500047



RESERVOIR DRAIN
(3/8" HOSE, #6 FITTING)

BOOST BLOCK OUTLET
(1" HOSE TO PUMP INLET,
#16 FITTING)

MOTOR INLET
(3/8" HOSE FROM
PUMP OUTLET,
#10 FITTING)

Smart Power System specifications

Model number:	LR-6	LR-8																																				
Part number:	1700806	1700808																																				
Power:	6kW	8kW																																				
AC amps:	46/23	66/33																																				
Continuous watts:	6200	8000																																				
Peak watts:	7500	9000																																				
Tray weight:	190 lb.	220 lb.																																				
Power take off:	Chelsea 246	Chelsea 246																																				
Hydraulic pump:	23cc PTO integrated	23cc PTO integrated																																				
Pump rotation:	Left hand	Left hand																																				
<table style="width: 100%; border-collapse: collapse;"> <tr> <td style="width: 33%;">AC volts:</td> <td colspan="2">120/240 VAC (re-connectable to 120 VAC only)</td> </tr> <tr> <td>Frequency:</td> <td colspan="2">60 Hertz</td> </tr> <tr> <td>Phase:</td> <td colspan="2">Single</td> </tr> <tr> <td>Generator speed:</td> <td colspan="2">3600 RPM</td> </tr> <tr> <td>Frame size:</td> <td colspan="2">30.25" L x 15.625" W x 13.75" H</td> </tr> <tr> <td>Reservoir:</td> <td colspan="2">Integrated within frame</td> </tr> <tr> <td>Hydraulic pump type:</td> <td colspan="2">Gear pump</td> </tr> <tr> <td>PSI:</td> <td colspan="2">400 to 3200</td> </tr> <tr> <td>GPM:</td> <td colspan="2">10</td> </tr> <tr> <td>Required engine speed:</td> <td colspan="2">1200-1600 RPM engine speed</td> </tr> <tr> <td>Filtration:</td> <td colspan="2">10 Micron</td> </tr> <tr> <td>Fluid:</td> <td colspan="2">Dexron III</td> </tr> </table>			AC volts:	120/240 VAC (re-connectable to 120 VAC only)		Frequency:	60 Hertz		Phase:	Single		Generator speed:	3600 RPM		Frame size:	30.25" L x 15.625" W x 13.75" H		Reservoir:	Integrated within frame		Hydraulic pump type:	Gear pump		PSI:	400 to 3200		GPM:	10		Required engine speed:	1200-1600 RPM engine speed		Filtration:	10 Micron		Fluid:	Dexron III	
AC volts:	120/240 VAC (re-connectable to 120 VAC only)																																					
Frequency:	60 Hertz																																					
Phase:	Single																																					
Generator speed:	3600 RPM																																					
Frame size:	30.25" L x 15.625" W x 13.75" H																																					
Reservoir:	Integrated within frame																																					
Hydraulic pump type:	Gear pump																																					
PSI:	400 to 3200																																					
GPM:	10																																					
Required engine speed:	1200-1600 RPM engine speed																																					
Filtration:	10 Micron																																					
Fluid:	Dexron III																																					