



5000 N. US 131 • REED CITY, MI 49677 • (231) 832-5525
sales@smartpower.com

Command and Control Center

Part No. 15000047

A dramatic further improvement in the GENSET industry is now available through the proprietary Command & Control Center* (CCC) interactive system. This completely solid state and totally sealed display/user control center, automates and optimizes GENSET performance under all conditions. The CCC provides vital system information, with automated capacity to prevent damage and records the operating system use history. It provides functional over-ride giving maximum use of the system to the operator under emergency conditions (event is recorded). The CCC is a system empowering and optimizing device. It provides continuous system self-diagnostics. Other features include:

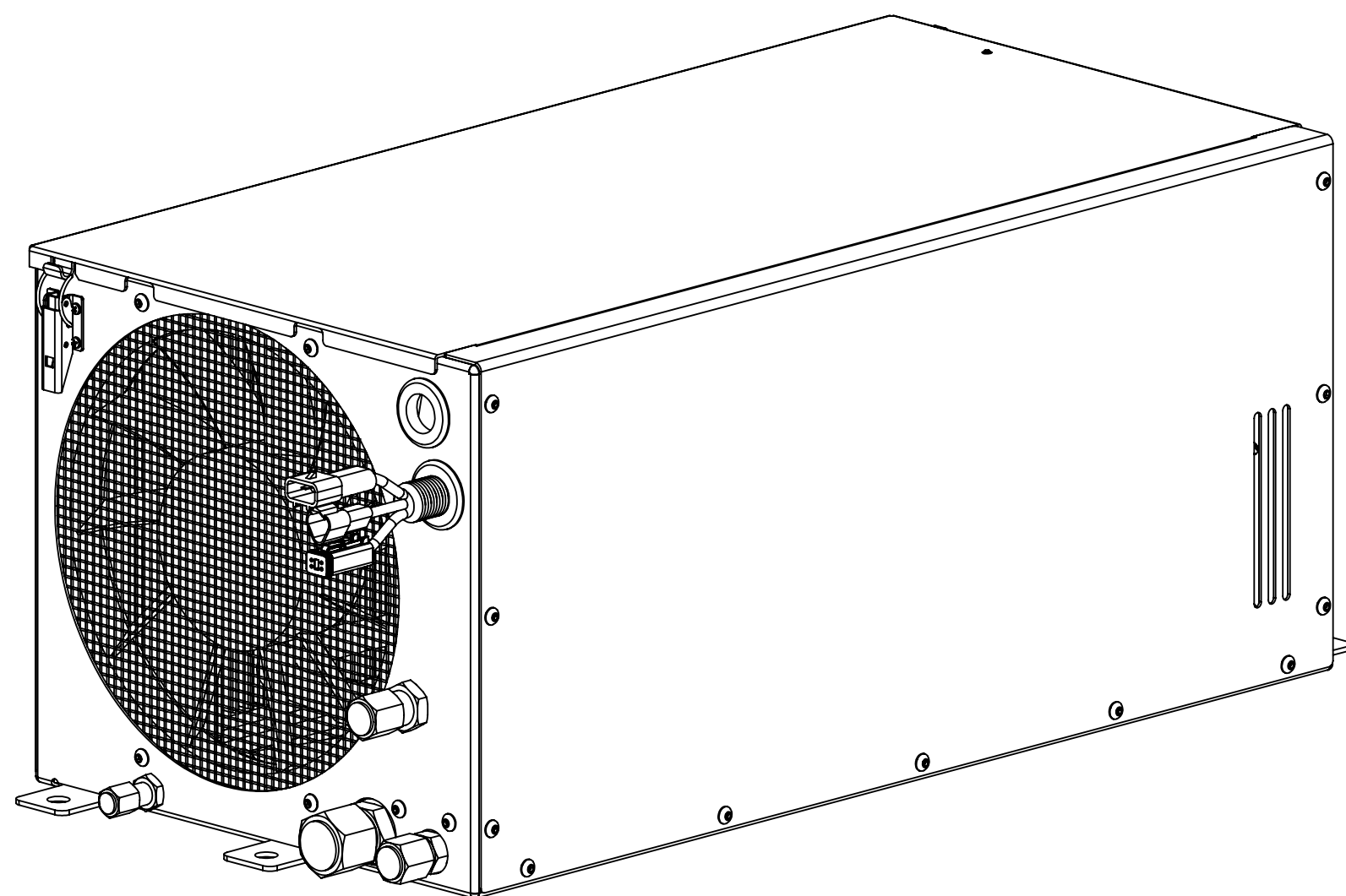
1. Totally solid state (no moving parts) Smart Touch[®] switch buttons
2. Precision frequency and voltage control
3. Clean electrical power output
4. Low profile, panel mount design
5. Easy installation; pre-wired harnesses with no adjustments required
6. Continuous hydraulic pump drive with or without producing power
7. Adaptive monitoring and control to varying operating conditions
8. Multi-station remote control of the GENSET
9. Notifies user of routine/preventative system maintenance
10. CSA compliant
11. Totally sealed; environmentally safe

FEATURES

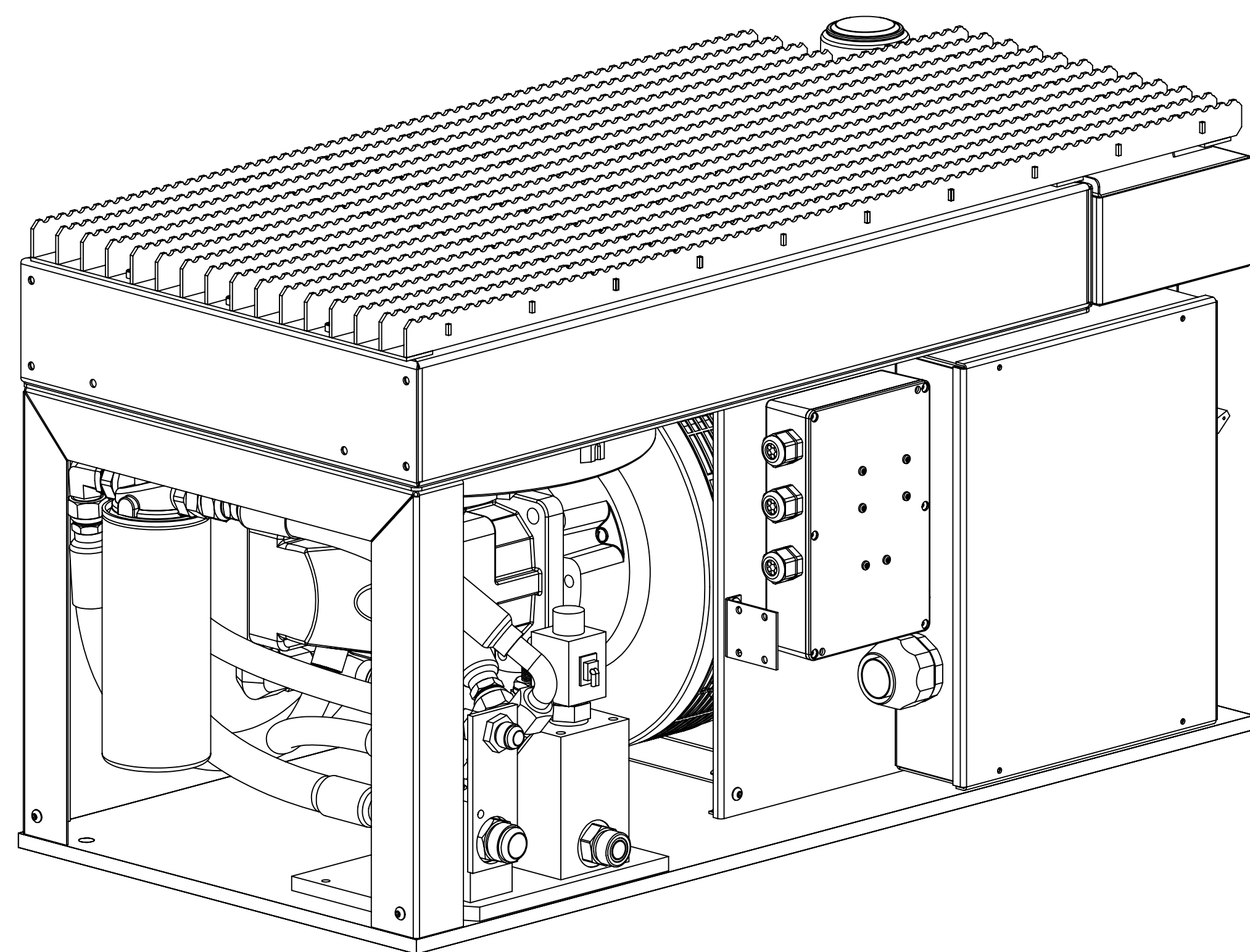
- Smart Start[™] :
 - 1) Senses a low temperature in the system and “knows” that the hydraulic fluid can not flow in adequate volume and therefore controls speed during cold temperatures within safe limits
 - 2) Rapid heating (cold weather) of hydraulic fluid at start up, increasing output performances and extending system life
 - 3) Auto start mode (option) detects PTO engagement, for controlled safe automatic operation
 - 4) System remote display/control from multiple locations anywhere on the vehicle
 - 5) Soft ramp function during initial engagement extends system life
- Temperature monitoring for automatic system protection during hot and cold extremes
- Interactive user commands; close symbiotic control
- Pressure sensing provides instantaneous feedback/operating data
- Continuously monitors and displays system”
 - voltage
 - frequency
 - current output
 - system run time
 - system fluid temperature
 - self-diagnostics
 - maintenance schedules
 - operation warnings and inquiries for optimum system performance

*covered under one or more patents No.
5,087,825 and 5,796,183

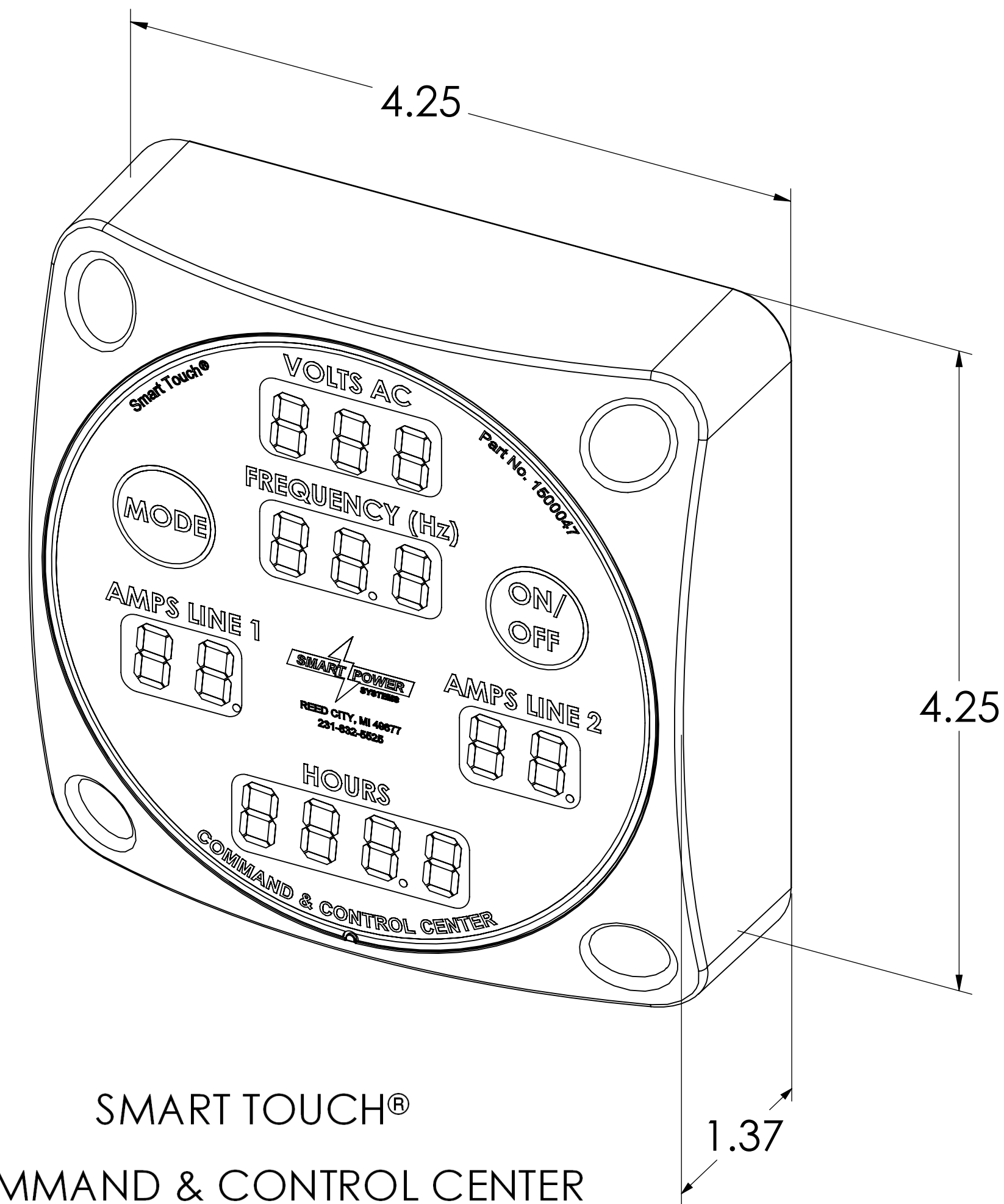
REV	DATE	BY	DESCRIPTION



EMERGENCY RESCUE AND LIGHT RESCUE GENERATOR SYSTEMS
AVAILABLE SIZES: 6KW, 8KW, 10KW




HEAVY RESCUE GENERATOR SYSTEMS
AVAILABLE SIZES: 6KW, 8KW, 10KW, 15KW, 20KW, 25KW, 30KW



SMART TOUCH®
COMMAND & CONTROL CENTER

SPECIFICATION CONTROL DRAWING

DRAWN	DATE	REQ'D	ITEM	PART NO	DESCRIPTION
DO NOT SCALE		LIST OF MATERIALS			
CHECKED	DATE	DIMENSIONS ARE IN INCHES		 <small>REED CITY, MI 49677 DIVISION</small>	
APPROVED	DATE	TOLERANCE UNLESS OTHERWISE SPECIFIED			
MATERIAL	2 PLACE DECIMALS ±0.01		NAME		
	3 PLACE DECIMALS ±0.005		COMMAND AND CONTROL CENTER		
NEXT ASSEMBLY	ANGLES ±1/2°		SCALE	NTS	NO 1500047
	THDS. INT 2B EXT 2A		SHEET	1 of 1	