

The...liberator[®]



SAVES LIVES... the fastest extrication.



- 300% more power; more robust
- Operates 3 tools simultaneously with 100 ft. of hose
- No set-up time required at the scene
- **PLUS**, delivers 25kW electric power
- Compact; saves valuable space

Smart Power and XRT[®] have teamed up to provide the fire industry with the **first and only** integrated hydraulic generator and hydraulic rescue tool system. This compact system uses one PTO to produce electricity (10kW, 15kW, 20kW, 25kW) plus 5000 Watts hydraulic power to operate 3 rescue tools simultaneously.

Integrated hydraulic rescue tool pump system

- Unique hydraulic drive system* provides more rescue tool power than gas or electric motors
- Allows pumper operation simultaneous with extrication and AC power generation
- Two-stage rescue tool pump provides faster extrication operation
- Compatible with all manufacturers' rescue tools; up to 100ft hose / tool
- XRT[®] rescue tool pump bolts directly to the generator
- One hydraulic pump, one hydraulic motor; drives both the generator and XRT[®] pump
- Power to drive up to 3 rescue tools simultaneously (independent of each other)
- Generator and rescue tools can be run at full load; at any engine RPM

Space saving design

- Compact hydraulic gen-set* footprint (Industry's smallest) saves valuable compartment space
- No additional hydraulic rescue tool pump is required; save compartment space

Lower cost and high efficiency

- Eliminates the need for a larger generator, to run an electric-powered hydraulic pump
- Requires 40% less power from the vehicle than other electric rescue tool pumps
- Simplified single drive integrated system

One PTO port operation

- Smart Start* engagement protects both the generator and XRT[®] pump
- Ease of operation; engage just one PTO and you are "scene ready"
- Thru-drive pumps offer ability to run another hydraulic pump from the same PTO

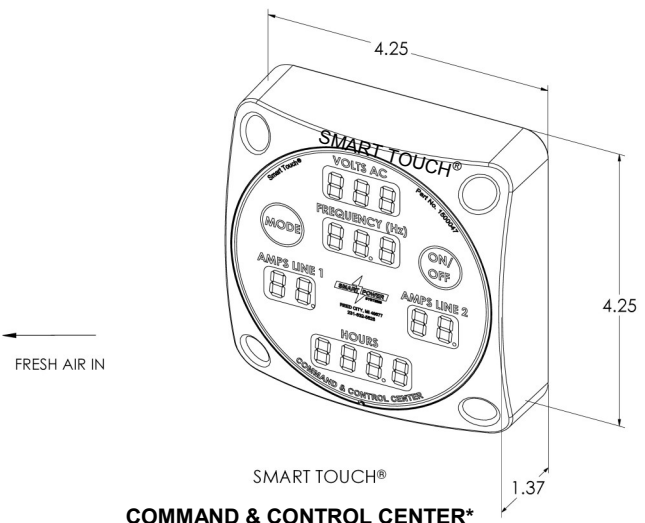
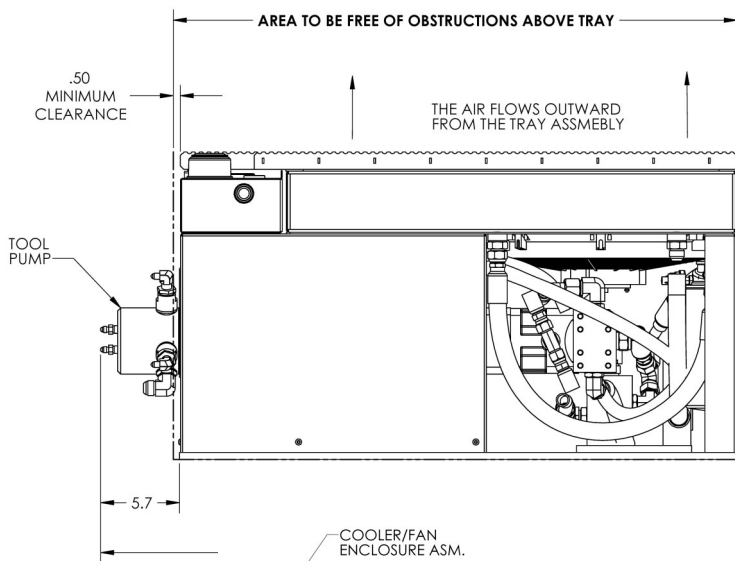
Reliable hydraulic generator power source

- Total **Electronic Control System*** offers the Industry's highest system control and self-diagnostics
- Trouble-free hydraulically driven clean power source you can rely on
- Rugged tray assembly provides superior component protection
- Automated system protection prevents damage in extreme conditions

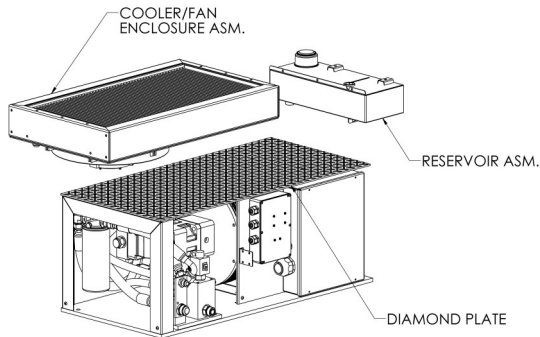
Smart Power Systems[®]

5000 North US-131, Reed City, MI 49677-7922 · (231) 832-5525 · Fax (231) 832-3876 ·
Smart Power Systems[®] is a Nartron trademark sales@smartpower.com; www.smartpower.com

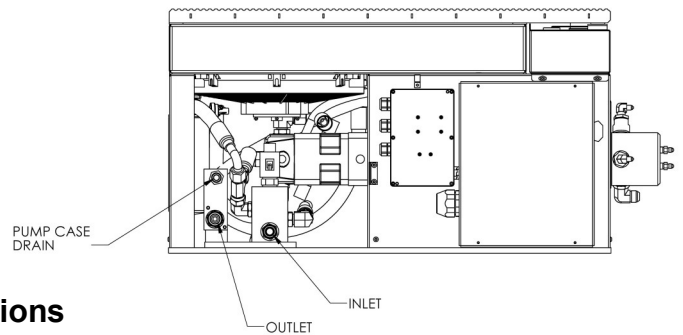
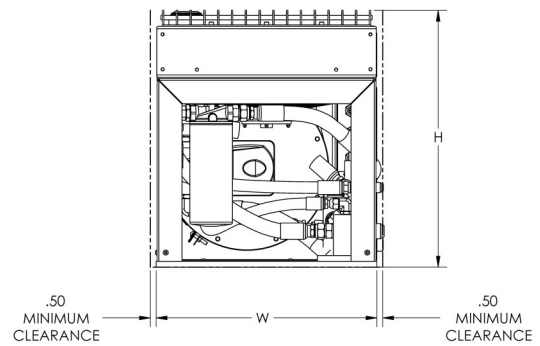
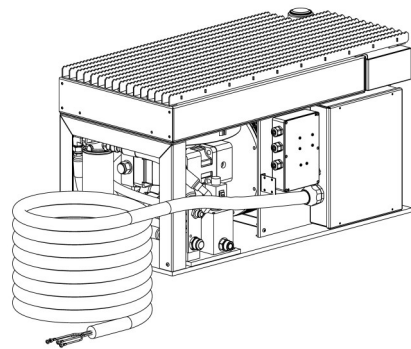
*patents 5,087,825; 5,796,183; 7,053,498; 7,459,800; 7,759,811; 8,269,359; 8,269,360; 8,626,384; DE19703404 and others pending



SMART TOUCH®
COMMAND & CONTROL CENTER*
 P/N: 1500047
 solid state, completely sealed



OPTIONAL:
 COOLER/FAN ENCLOSURE AND
 RESERVOIR CAN BE REMOTE MOUNTED



System specifications

Model Number:	LI-10	LIF-10	LI-15	LI-20	LI-25
Part Number:	3600010	3600810	3600015	3600020	3600025
AC amps:	84/42	84/42	125/63	167/84	209/105
Continuous watts:	10,000	10,000	15,000	20,000	25,000
Peak watts:	12,000	12,000	17,000	22,000	27,000
Hydraulic output:	5kW for rescue tools	5kW for rescue tools	5kW for rescue tools	5kW for rescue tools	5kW for rescue tools
Tray weight:	473 lbs.	473 lbs.	580 lbs.	715 lbs.	720 lbs.
AC volts:	120/240 VAC	120/240 VAC	120/240 VAC	120/240 VAC	120/240 VAC
Frequency:	60 Hertz	60 Hertz	60 Hertz	60 Hertz	60 Hertz
Phase:	Single	Single	Single	Single	Single
Generator speed:	1800 RPM	1800 RPM	1800 RPM	1800 RPM	1800 RPM
Frame size:	40.5"L x 19"W x 22"H	40.5"L x 19"W x 22"H	46"L x 19"W x 22"H	48"L x 19"W x 22"H	48"L x 19"W x 22"H
Hydraulic pump:	80 cc axial piston with pressure compensation	Integrated Vane Pump	80 cc axial piston with pressure compensation	80 cc axial piston with pressure compensation	80 cc axial piston with pressure compensation
Fluid:	Dexron III	DuraClean multi viscosity	Dexron III	Dexron III	Dexron III
Tool pump:	SP 786 Two-Stage Continuous Duty	SP 786 Two-Stage Continuous Duty	SP 786 Two-Stage Continuous Duty	SP 786 Two-Stage Continuous Duty	SP 786 Two-Stage Continuous Duty
Tool pressure rating:	5,000psi, 10,000psi or 10,500psi	5,000psi, 10,000psi, or 10,500psi	5,000psi, 10,000psi or 10,500psi	5,000psi, 10,000psi or 10,500psi	5,000psi, 10,000psi or 10,500psi
Rescue tool fluid:	Phosphate Ester, Mineral Fluid or Glycol	Phosphate Ester, Mineral Fluid, or Glycol	Phosphate Ester, Mineral Fluid or Glycol	Phosphate Ester, Mineral Fluid or Glycol	Phosphate Ester, Mineral Fluid or Glycol
PTO Included		Chelsea 249V			
Number of outputs:	1, 2, or 3 independent ports	1, 2, or 3 independent ports	1, 2, or 3 independent ports	1, 2, or 3 independent ports	1, 2, or 3 independent ports